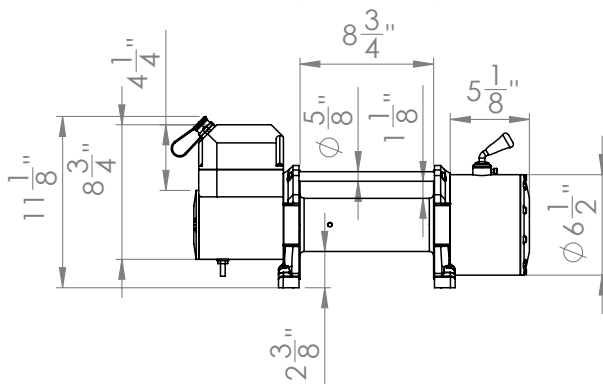
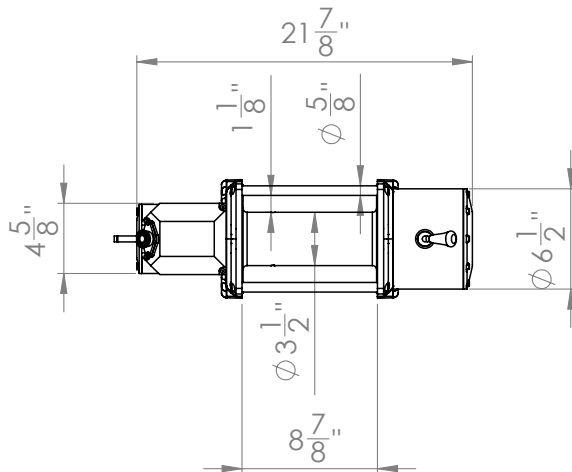
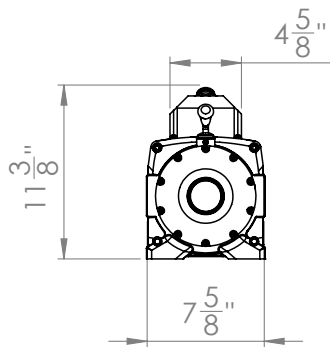


PS20000 WINCH

included accessories on reverse



PIERCE

PULLING FOR YOU

CATEGORY	WINCH
-----------------	-------

PART NO.	PS20000
-----------------	---------

PRODUCT DESCRIPTION	20,000 lb Self-Recovery Electric Winch
----------------------------	--

SPECIFICATIONS	
RATED LINE PULL	20,000 lb
LINE SPEED	20.4 fpm
VOLTAGE	12 V
CONTROL	Remote with 15' lead
RATIO	420:1
MINIMUM WIRE GAUGE	2 gauge
RECOMMENDED BATTERY	650 CCA
MOTOR	6.8 hp
WINCH CONSTRUCTION	Cast metal
GEAR TRAIN	3-stage planetary
CLUTCH	Sliding ring gear
BRAKE	Automatic in the drum
ROTATION OF WINCH	CCW
DRUM SIZE	3.50" x 8.70"
MOUNTING PATTERN	4.5" x 10"
WIRE ROPE RECOMMENDED	1/2" x 72'
WINCH WEIGHT	132 lb
GROSS WEIGHT	146 lb
WINCH DIMENSIONS (LxWxH)	21.875" x 6.5" x 11.125"
BOX DIMENSIONS (LxWxH)	25" x 10.25" x 16.5"

LINE SPEEDS					
LAYERS OF WIRE ROPE	RATED PULL (LB)	WIRE ROPE (FT)	LINE PULL (LB)	SPEED (FPM)	CURRENT
1	20,000	20.4	0	23.9	68 amps
2	15,482	42.4	6,000	7.4	185 amps
3	12,584	60.2	10,000	5.1	275 amps
4	10,550	72.2	15,000	3.3	435 amps
			20,000	2.62	530 amps

INCLUDED ACCESSORIES FOR PS20000 WINCH

PIERCE

PULLING FOR YOU



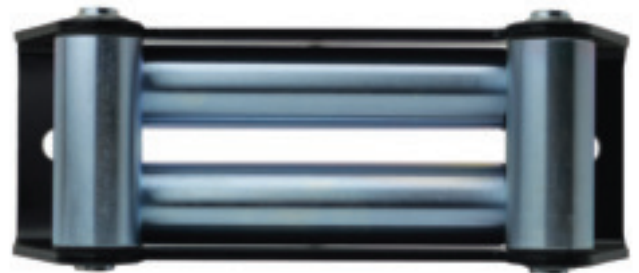
P040N PIERCE WIRED REMOTE CONTROL



SOLENOID ASSEMBLY



HOOK



ROLLER GUIDE



SNATCH BLOCK



CABLE / WIRING