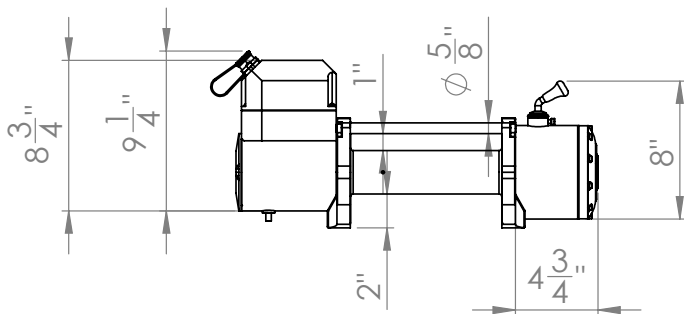
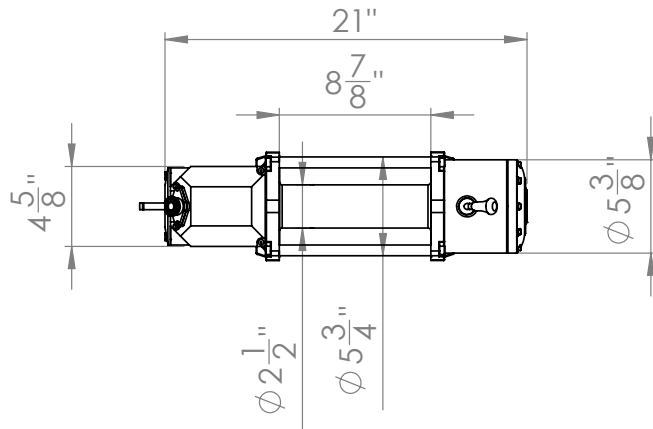
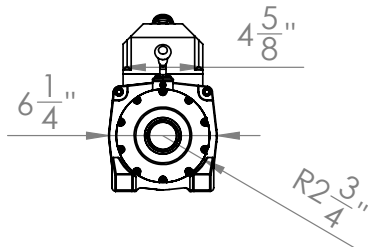


# PS12000 WINCH

*included accessories on reverse*

# PIERCE

PULLING FOR YOU



CATEGORY WINCH

PART NO. PS12000

## PRODUCT DESCRIPTION

12,000 lb Self-Recovery Electric Winch

## SPECIFICATIONS

RATED LINE PULL	12,000 lb
LINE SPEED	21.3 fpm
VOLTAGE	12 V
CONTROL	Remote with 15' lead
RATIO	265:1
MINIMUM WIRE GAUGE	2 gauge
RECOMMENDED BATTERY	650 CCA
MOTOR	5.5 hp
WINCH CONSTRUCTION	Cast metal
GEAR TRAIN	3-stage planetary
CLUTCH	Sliding ring gear
BRAKE	Automatic in the drum
ROTATION OF WINCH	CCW
DRUM SIZE	2.50" x 8.70"
MOUNTING PATTERN	4.5" x 10"
WIRE ROPE RECOMMENDED	3/8" x 94'
WINCH WEIGHT	88 lb
GROSS WEIGHT	98 lb
WINCH DIMENSIONS (LxWxH)	21" x 5.375" x 8.75"
BOX DIMENSIONS (LxWxH)	23" x 8.5" x 14"

## LINE SPEEDS

LAYERS OF WIRE ROPE	RATED PULL (LB)	WIRE ROPE (FT)	LINE PULL (LB)	SPEED (FPM)	CURRENT
1	12,000	17	0	21.3	65 amps
2	9,210	41	4,000	9.4	175 amps
3	8,030	71	6,000	7.9	230 amps
4	6,894	85	8,000	6.5	280 amps
			12,000	4.4	390 amps

## INCLUDED ACCESSORIES FOR PS12000 WINCH

---

# PIERCE

PULLING FOR YOU



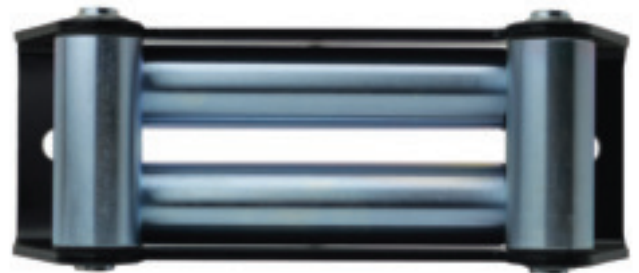
P040N PIERCE WIRED REMOTE CONTROL



SOLENOID ASSEMBLY



HOOK



ROLLER GUIDE



SNATCH BLOCK



CABLE / WIRING