

PSW654-8MK WINCH

PIERCE

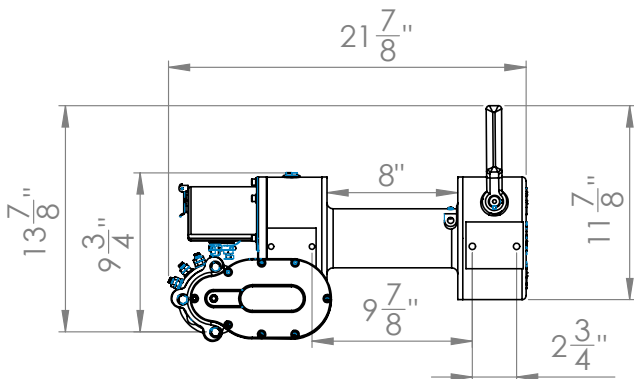
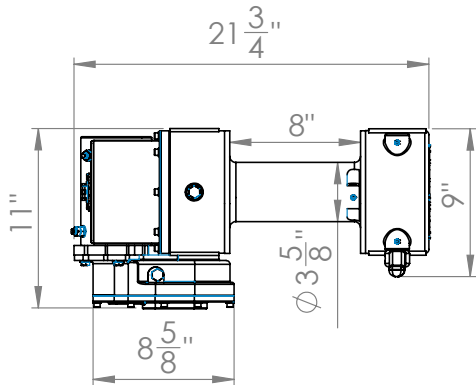
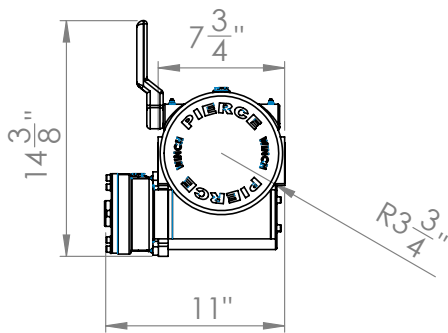
PULLING FOR YOU



| | |
|-----------------|-------|
| CATEGORY | WINCH |
|-----------------|-------|

| | |
|-----------------|------------|
| PART NO. | PSW654-8MK |
|-----------------|------------|

| | |
|----------------------------|---|
| PRODUCT DESCRIPTION | 12,500 lb Worm Gear Electric DC Winch / 8" drum |
|----------------------------|---|



| SPECIFICATIONS | |
|--------------------------|---------------------|
| RATED LINE PULL | 12,500 lb |
| LINE SPEED | 9 fpm |
| VOLTAGE | 12V |
| RATIO | 728.5:1 |
| AMPERE | 60/400 amps |
| MINIMUM WIRE GAUGE | 4 gauge |
| RECOMMENDED BATTERY | 650 CCA |
| MOTOR | 1.5 hp |
| WINCH CONSTRUCTION | Cast Metal |
| GEAR TRAIN | Worm Gear |
| CLUTCH | Dog |
| BRAKE | Worm Gear |
| ROTATION OF WINCH | CCW |
| DRUM SIZE | 3.5" x 8" |
| WIRE ROPE RECOMMENDED | 3/8" x 100' |
| WINCH WEIGHT | 88 lb |
| GROSS WEIGHT | 95 lb |
| WINCH DIMENSIONS (LxWxH) | 16.25" x 8" x 13.5" |
| BOX DIMENSIONS (LxWxH) | 14" x 14" x 24" |

| LINE SPEEDS | | | |
|---------------------|----------|---------------|------------------|
| LAYERS OF WIRE ROPE | PULL | DRUM CAPACITY | SPEED (@ 16 GPM) |
| 1 | 9,000 lb | 25 ft | 12.6 fpm |
| 2 | 7,500 lb | 50 ft | 15.1 fpm |
| 3 | 6,400 lb | 75 ft | 17.5 fpm |
| 4 | 5,600 lb | 100 ft | 20.0 fpm |