



**PIERCE**

PULLING FOR YOU

**Owner's Manual:**  
HAY BALE UNROLLER  
AHBR1



PIERCE ARROW INC.  
549 U.S. HWY 287 S.  
HENRIETTA, TEXAS 76365

---

TOLL FREE            800-658-6301  
FAX                    940-538-4382

---

[www.PierceArrowInc.com](http://www.PierceArrowInc.com)  
[www.YouTube.com/PierceArrowInc](http://www.YouTube.com/PierceArrowInc)



# PIERCE HAY BALE UNROLLER AHBR1

- Hooks up to both Cat 1 / Cat 2 tractors
- Will pick up 4', 5' and 6' bales
- Comes with a 2" x 12" tie rod cylinder, hydraulic connections including 1/2" female breakaway coupler and PIONEER quick connects for quick connections. Also, (2) Cat 2 bushings are included to remove slack between the tractor's lifting arm and the unroller's square bar.
- Grease zerks included on all movable parts

## SPECIFICATIONS

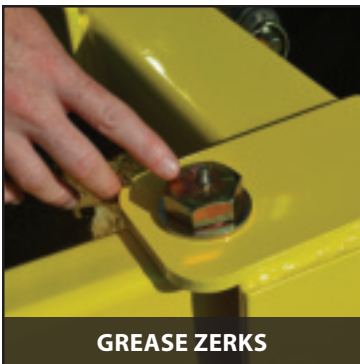
- **Dimensions:** 30 1/2" (H) x 62" (W) x 64" (L)
- **Weight:** 310 lbs.
- **Hitch Type:** Cat 1, Cat 2
- **Bale Handling:** Type – large round / 4', 5', 6'  
Quantity – 1  
Capacity – 2500 lbs.
- **Set up Time:** 15 minutes
- **Cylinder:** 2" x 12" tie rod cylinder
- **Warranty:** 1 year
- **Origin:** Made in Texas



PINS



QUICK CONNECTS



GREASE ZERKS



GREASE

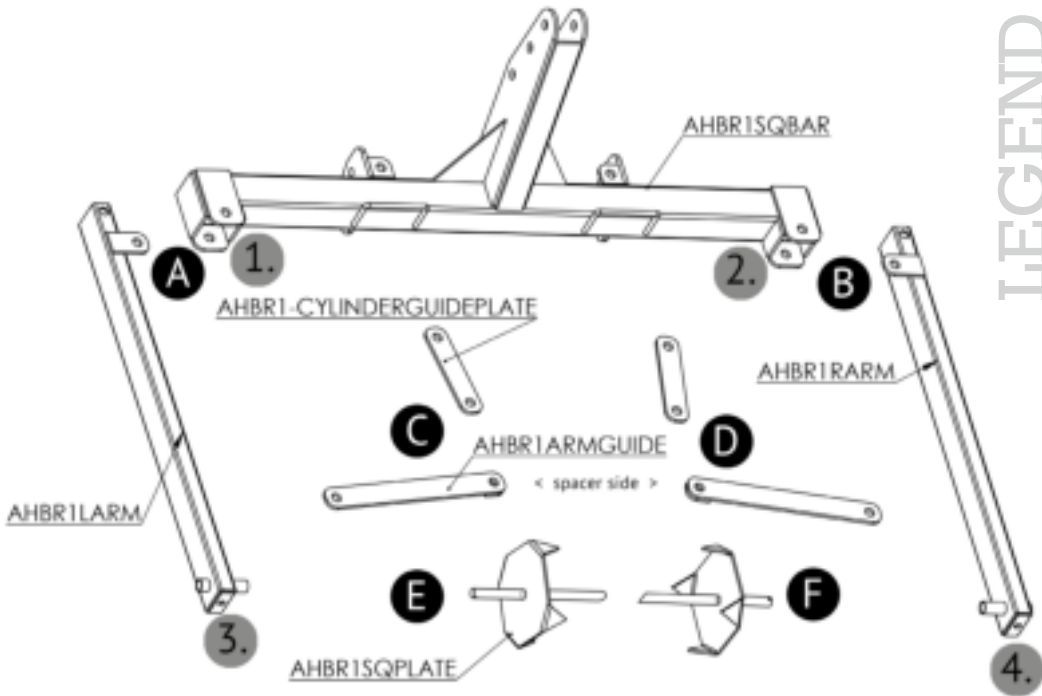




FITS LARGE BALES

# FAQ:

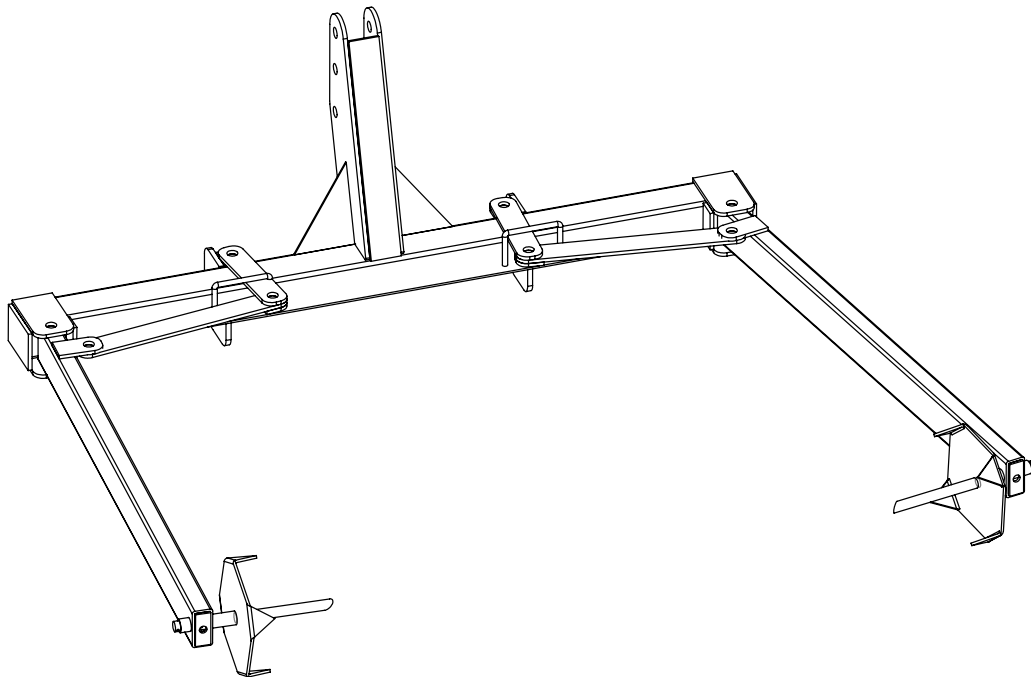
|  |  |
|--|--|
| Does the unit come with cylinder and hoses?                                  | Yes  |
| Does the unit have PIONEER quick connects?                                   | Yes  |
| Does the unit have greased bolts and/or grease fitting at all moving points? | Yes  |
| Will we drop ship direct to the dealer?                                      | Yes  |
| How much would the freight be?   | Approximately \$93.00 (in TX/OK)   |
| Will we have replacement parts available?                                    | Yes  |
| Will the unit hook up to both Cat 1/Cat 2?                                   | Yes  |
| Will the unit pick up 4', 5' and 6' bales?                                   | Yes  |
| Will the unit roll the whole bale out without waste?                         | No, the solid "core" will be left (most farmers/ranchers will find a way to feed this as well) |
| What is the weight capacity of the unit?                                     | 2,500 lbs.   |
| How often should you grease?   | Every 3 months   |
| What kind of grease?   | We recommend multipurpose grease (RED)   |

# PIERCE HAY BALE UNROLLER PARTS (FIG. 1)



|   |
|---|
| <b>AHBR1SQBAR</b><br>Squeeze Bar  |
| <b>AHBR1-CYLINDERGUIDE PLATE</b><br>Cylinder Guide Plate  |
| <b>AHBR1LARM</b><br>Left Arm  |
| <b>AHBR1RARM</b><br>Right Arm   |
| <b>AHBR1SQPLATE</b><br>Squeeze Plate  |
| <b>AHBR1ARMGUIDE</b><br>Arm Guide   |
|  Assembly Location |
|  Grease Location   |

# PIERCE HAY BALE UNROLLER COMPLETED ASSEMBLY



## ASSEMBLY

If you receive your hay bale unroller on a pallet, you will have to complete the following assembly process. See **fig. 1** on the previous page for a breakdown of the parts:

### ARM ASSEMBLY

#### Parts

AHBR1LARM, AHBR1RARM, AHBR1SQBAR

#### Hardware

1" x 6" G8 bolts with grease zerk and 1" lock nut

#### Tools

(2) 1.5" wrenches

#### Directions

**(A)** Using two 1.5" wrenches, **tightly** bolt the left and right arms (AHBR1LARM / AHBR1RARM) to the hinge on the (AHBR1SQBAR) with the provided 1" x 6" G8 bolts and 1" lock nut.

**(B)** Repeat on the other side.

### GUIDE ASSEMBLY

#### Parts

AHBR1ARMGUIDE, AHBR1LARM, AHBR1RARM, AHBR1SQBAR

#### Hardware

(2) 1" flat washer, (2) 1" x 2.5" G8 bolt and (2) 1" lock nut

#### Tools

(2) 1.5" wrenches

#### Directions

**(C)** Remove the cylinder pin from the cylinder. Bolt the spacer side of the arm guide (AHBR1ARMGUIDE) to the clevis side of the cylinder. Using two 1.5" wrenches, secure using the supplied 1" flat washer, 1" x 2.5" G8 bolt and 1" lock nut. Now, connect the other side of the arm guide (AHBR1ARMGUIDE) to the arm (AHBR1LARM). **The guides should be loose enough to allow the arms to move.**

**(D)** Repeat on the other side.

### SQUEEZE PLATE ASSEMBLY

#### Parts

AHBR1LARM, AHBR1RARM, AHBR1SQPLATE

#### Hardware

¼" keeper pin

#### Directions

**(E)** Slide the squeeze plate (AHBR1SQPLATE) to the collar-end of the arm (AHBR1LARM). Secure using the supplied ¼" keeper pin.

**(F)** Repeat on the other side.

### GREASE

#### Parts

Red baring grease

#### Hardware

Grease gun

#### Directions

Grease all following four grease points using a grease gun and red baring grease:

1. Left side squeeze bar bolt (AHBR1SQBAR) (1" x 6" G8 bolts with grease zerk)
2. Right side squeeze bar bolt (AHBR1SQBAR) (1" x 6" G8 bolts with grease zerk)
3. Within the collar-end of the left side arm (AHBR1LARM)
4. Within the collar-end of the right side arm (AHBR1RARM)

## INSTALLATION

Two people will be required for the following installation. Ensure the tractor is turned off.

### UNROLLER ATTACHMENT TO THE TRACTOR'S THREE POINT HITCH

#### Parts

AHBR1

#### Supplied Hardware

(2) pre-installed lift arm pin, (2) 7/16" keeper pin and (2) Cat II bushings\*\*

---

### Not Supplied Hardware

(1) 7/8" hitch pin

---

#### Directions

Two people will need to lift the hay bale unroller. Attach the hay unroller frame to the tractor's left bottom link using the (1) pre-installed lift arm pin and (1) 7/16" keeper pin. Repeat on the right side.

Attach the hay unroller frame to the tractor's top lift link using a 7/8" hitch pin (not supplied).

\*\* For Cat II tractors use the included bushes to remove slack between the tractor's lifting arm and the unroller's square bar.

### HYDRAULIC CONNECTIONS

#### Directions

Connect to the tractor's 3 point hook up using the provide quick connect hoses. Plug the male end of the hay bale unroller into the 1/2" female breakaway coupler on your tractor.

### ADJUSTMENTS

If the following situations occur, you will need to make some adjustments.

- **The unroller won't lift the bale off the ground.** When the tractor's lower links are in the up position, the bale should be approximately 10" off the ground. Tighten the top link to bring the end of the arms up. If the bale is too high, loosen the top link to bring the arms down. Also, when lifting, the squeeze plates should be in the center of the bale.
- **The unroller won't unroll the bale.** Make sure the bale is not hitting the unroller frame, the bale is straight within the unit and the squeeze plates are properly greased. Also, make sure the bale is unrolling from the bottom of the bale.

(WARNING: Freezing temperatures may increase the weight of the hay bale. Be sure not to lift bales heavier than the weight limits of your tractor and the hay bale unroller.)

### CONSIDERATIONS

- Read the manual in full before operating.
- Check your equipment for proper compatibility with the hay bale unroller. The unroller fits most tractors but adjustments may be required.
- Read the adjustments section for more information.
- A counterbalance may need to be added on the front of smaller tractor. Stay within the manufacturer's guidelines.
- Before lifting and moving the bale, it must be gripped so it will unroll from the bottom as it is rolled forward on level ground.

### DIRECTIONS

Always unroll hay on level ground.

The Pierce hay bale unroller can lift and unroll 4', 5', or 6' tall hay bales. Be sure to check height of your 3 point arms is appropriate for the hay bale height.

- Once the unroller arms are in position, ensure the tractor is inline with the bale. Back up until the spike grips are near the center of the bale. Only grip the center of the bale. Using the tractors control system, close the arms until the bale is gripped securely. Raise the bale high enough to move the bale to it's destination – approximately 10".
- Once the bale is in position to be unrolled, remove all netting around the bale.
- To unroll the hay, lower the arms and drive forward. The bale will roll and dispense even layers of hay.

*In the event the hay does not unroll properly, adjustments to the may be necessary. Read the adjustments section for more information.*

## OPERATION

## MAINTENANCE

- Check all hoses for cracks and or leaks, make sure all pivot points are greased properly.
- Inspect the unit for any damages, which may have occurred in repeated use in the field.
- Make sure all pins, bolts, nuts and screws are secure and proper for use.

## SAFETY WARNINGS

- Equipment may only be operated by those who are authorized, trained and responsible and in the cab of the tractor. Operators must know how to operate both the tractor and the hay bale unroller. Tractors with roll-over protective structures should be used.
- Use tools authorized by the manufacturer when assembling, installing, maintaining equipment.
- Two people may be required when handling heavy equipment. Do not strain when picking up equipment. Personal injury may result.
- The hydraulic system is not designed to hold a load. Use supports to securely block the equipment.
- Do not allow extra riders in the cap of the tractor during operation.
- Always wear your seat belt when operating the tractor.
- Drive slowly when moving a hay bale.
- Do not lift hay bales larger than 6' high.
- Do not drive or operate near water, ditches or creeks.
- Obey all highway laws for farm machinery.
- Do not drive on public roads without proper reflectors and warning lights.
- Be alert and drive conservatively. Drive slowly around corners.
- Counter weights may need to be installed to your tractor. Do not exceed the limits of your machinery. Check the tractor's weight limit before operation.
- Before removing the hay bale unroller from the tractor, be sure to turn off the tractor and lock the brakes.
- During routine maintenance or adjustments, lower the unroller to the ground or elevate it to a workable height.
- Stay clear of the tractor and hay bale unroller while the tractor is backing up.
- Stay clear of low electrical or power lines while driving.
- Do not remove the hay bale unroller around children.
- Do not wear loose fitting clothing during installation and operation.
- Modifying the equipment may result in personal injury and / or voided warranty.

## PIERCE ARROW PRODUCT LIMITED WARRANTY

Pierce Arrow Inc. warrants to the original purchaser only (whether a wholesale, OEM or retail customer) that the goods, equipment, and merchandise manufactured by Pierce Arrow are free from defects in material and workmanship. The Pierce Arrow limited warranty on parts covers such items for a period of one year on mechanical and electrical from the date of shipment by Pierce Arrow. All warranties cover only the product or product parts, and are nontransferable.

### OBTAINING WARRANTY SERVICE

Pierce Arrow must be notified promptly in writing, about the defect before any means of repair have been made. The merchandise must be delivered by the purchaser to Pierce Arrow in Henrietta, Texas at the purchaser's expense. Pierce Arrow reserves the right to repair or replace the merchandise proved to be defective. The purchaser is responsible for the cost of repairs made by Pierce Arrow if the repairs are not covered by the Pierce Arrow warranty.

### EXCLUSIONS

The Pierce Arrow warranty is not intended to cover normal maintenance parts, including but not limited to: wear pads, bushings, mud flaps, fender flares, light bulbs, oil filters and remote enclosures. Nor is the warranty intended to cover any change or defect due to accident; misuse; improper, inadequate or unauthorized repair; failure to provide maintenance or uses for which the equipment was not intended; and normal deterioration due to weather or road conditions. Reference the owner's manual for safety, installation, operation and maintenance guidelines.

The warranty does not bear the cost of labor, transportation, shipping damages, claimed down time, loss of profit or goodwill, or any other special, incidental, indirect, or consequential damages, concerning or related to any product or part, whether based upon negligence, strict liability, breach of contract, breach of warranty, misrepresentation, or any other legal theory.

Merchandise sold by Pierce Arrow, but not manufactured by it, is not warranted by Pierce Arrow and is subject to the manufacturer's warranty only. The manufacturer's warranty is available upon request.

Pierce Arrow makes no warranty, expressed or implied, to finished products manufactured or supplied by other manufacturers, and supplied from Pierce Arrow to the purchaser, including but not limited to, any vehicle to which our products is affixed to, and any accessories.

Merchandise manufactured by Pierce Arrow is not designed or intended for the movement of people and are not to be used in the operation of elevators or other improper uses. Any improper use of the product may void the warranty.

Please contact Pierce Arrow with any questions:

Pierce Arrow Inc.  
549 U.S. Highway 287 S.  
Henrietta, Texas 76365  
(toll free) 800-658-6301  
(o) 940-538-5643  
(f) 940-538-4382  
[www.piercearrowinc.com](http://www.piercearrowinc.com)