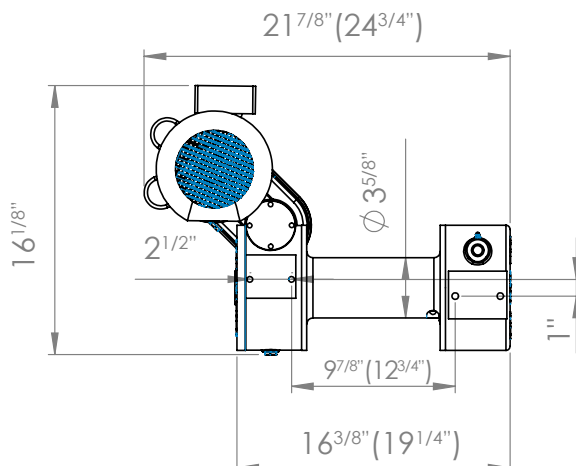
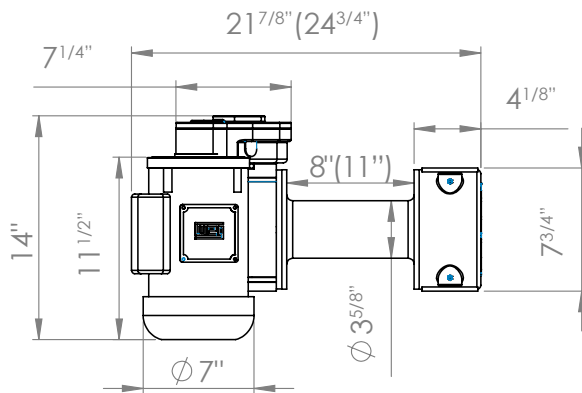
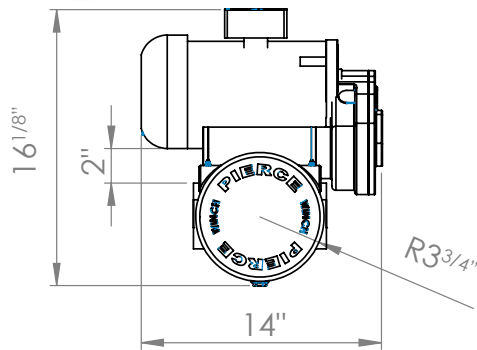


# PS654-8EK & PS654-11EK WINCH

# PIERCE PULLING FOR YOU



<b>CATEGORY</b>	WINCH
<b>PART NO.</b>	PS654-8EK PS654-11EK

<b>PRODUCT DESCRIPTION</b>	7,500 lb Worm Gear Electric AC Winch / 8"(11") drum
----------------------------	---

<b>SPECIFICATIONS</b>	
<i>*values in (#) represent the values for the 11EK</i>	
RATED LINE PULL	7,500 lb
LINE SPEED	4 fpm
VOLTAGE	110V / 220V
RATIO	460:1
AMPERE	17.4 amps @ 115V
MINIMUM WIRE GAUGE	16 gauge
MOTOR	1.5 hp
WINCH CONSTRUCTION	Cast Metal
GEAR TRAIN	Worm Gear
CLUTCH	Dog
BRAKE	Worm Gear
ROTATION OF WINCH	CCW
DRUM SIZE	3.5" x 8" (11")
MOUNTING PATTERN	Pre-mounted
WIRE ROPE RECOMMENDED	3/8" x 100' (125')
WINCH WEIGHT	123 lb (125 lb)
GROSS WEIGHT	163 lb (165 lb)
WINCH DIMENSIONS (LxWxH)	26" x 15" x 17.5" (pre-mounted)
BOX DIMENSIONS (LxWxH)	Palletted