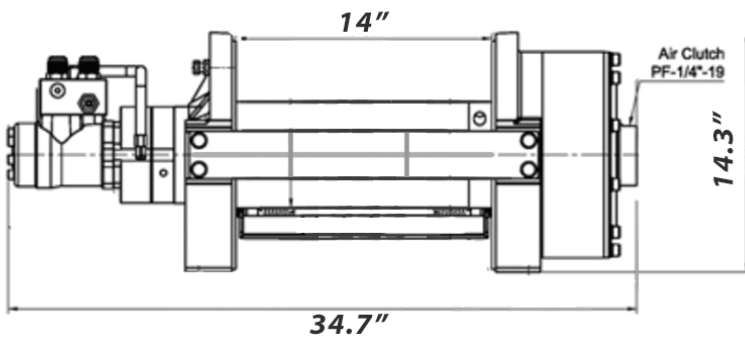
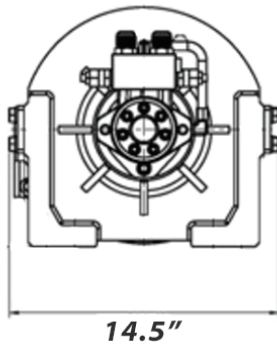


PSHDH30000 WINCH

PIERCE

PULLING FOR YOU



CATEGORY WINCH

PART NO. PSHDH30000

PRODUCT DESCRIPTION

30,000 lb Hydraulic Industrial Winch

SPECIFICATIONS

RATED LINE PULL	30,000 lb
LINE SPEED	16 fpm @ 15.9 gpm
OPERATION PRESSURE	2,540 psi
MAX OIL FLOW	15.9 gpm
HYDRAULIC MOTOR	9.5 in ³ / rev
GEAR RATIO	2-stage planetary gear 41:1
WINCH CONSTRUCTION	Cast housings with steel drum
CLUTCH	Output shaft disengaged
BRAKE	Multidisc brake
ROTATION OF WINCH	Underwound
DRUM BARREL DIAMETER	6"
DRUM FLANGE DIAMETER	13.5"
DISTANCE BETWEEN FLANGES	14"
MOUNTING BOLTS PATTERN	7.5" x 18" 10.5" x 18"
WIRE ROPE RECOMMENDED	5/8" x 246'
WINCH WEIGHT	434 lb
GROSS WEIGHT	518 lb
WINCH DIMENSIONS (LxWxH)	34.7" x 14.5" x 14.3"
BOX DIMENSIONS (LxWxH)	Shipped in crate or pallet individually

LINE SPEEDS

LAYERS OF WIRE ROPE	PULL (LB)	WIRE ROPE (FT)	SPEED (@ 15.9 GPM)
1	30,000 lb	36 ft	16 fpm
2	25,216 lb	82 ft	19 fpm
3	21,745 lb	131 ft	23 fpm