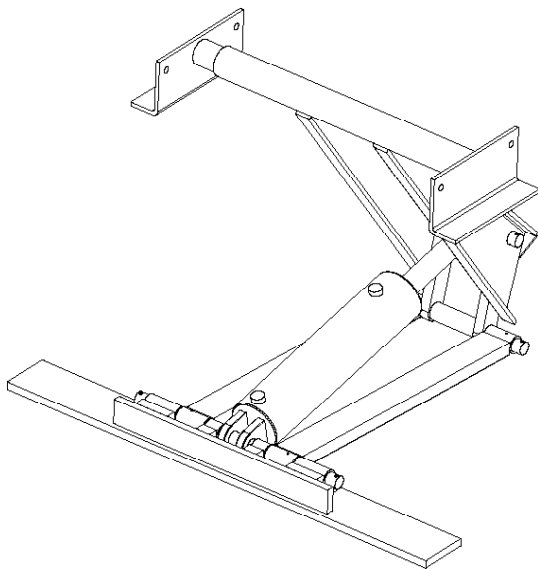
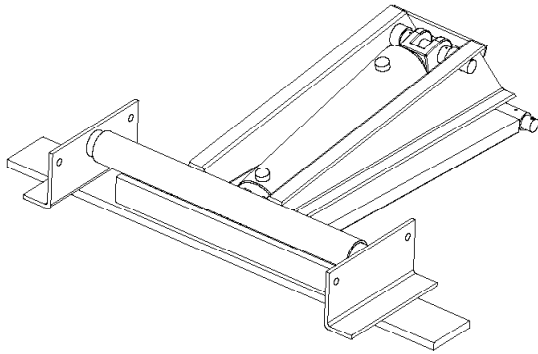


# HEAVY DUTY DUMP KIT



# PIERCE® PULLING FOR YOU

**CATEGORY** DUMP KIT

**PART NO.** DKHKPD

## PRODUCT DESCRIPTION

Aftermarket Dump Bed Conversion Kit

## SPECIFICATIONS

<b>MAX LOAD CAPACITY</b>	20,000 lbs
<b>DIMENSIONS</b>	47" x 35.32" x 10.14"
<b>PRODUCT WEIGHT</b>	480 lbs.
<b>GROSS WEIGHT</b>	525 lbs.
<b>CYLINDER</b>	P046516
<ul style="list-style-type: none"> <li>• TYPE</li> <li>• ROD</li> <li>• DIMENSIONS</li> </ul>	<ul style="list-style-type: none"> <li>• Welded</li> <li>• 2"</li> <li>• 5" x 16"</li> </ul>
<b>PUMP TYPE</b>	PM-3551
<ul style="list-style-type: none"> <li>• TANK CAPACITY</li> <li>• PRESSURE</li> <li>• VOLTAGE</li> <li>• HOSE CONNECTION</li> </ul>	<ul style="list-style-type: none"> <li>• 2 Gal.</li> <li>• 3,250 PSI</li> <li>• 12V or 24V</li> <li>• #6 SAE</li> </ul>

## LOAD CAPACITY

OVERHANG	10' BED	12' BED	14' BED	16' BED
0"	10 T	9 T	8 T	7 T
12"	—	10 T	9 T	8 T
24"	—	—	10 T	9 T
36"	—	—	—	9 T