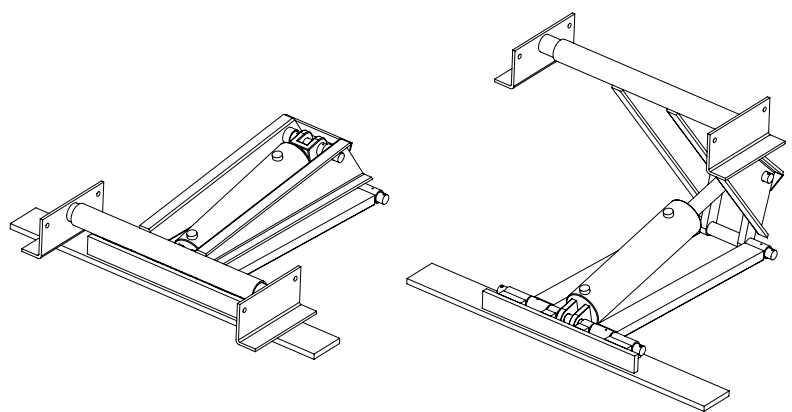
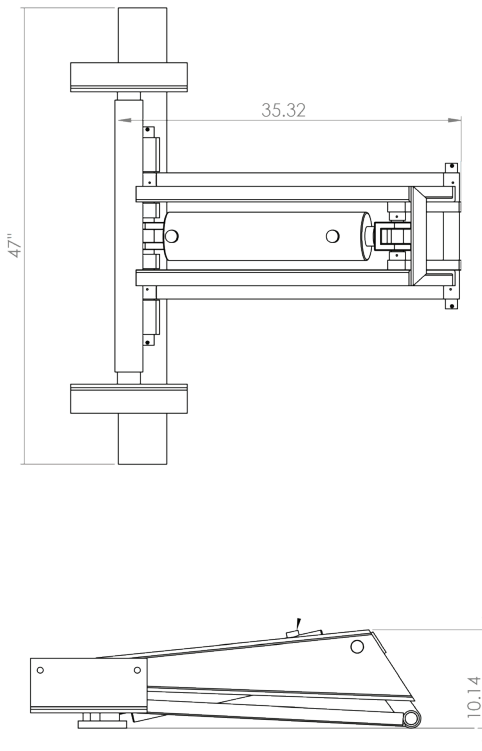


LIGHT DUTY DUMP KIT

PIERCE® PULLING FOR YOU



CATEGORY	DUMP KIT
-----------------	----------

PART NO.	DKLKPD
-----------------	--------

PRODUCT DESCRIPTION	Aftermarket Dump Bed Conversion Kit
----------------------------	-------------------------------------

SPECIFICATIONS	
MAX LOAD CAPACITY	10,000 lbs
DIMENSIONS	47" x 35.32" x 10.14"
PRODUCT WEIGHT	380 lbs.
GROSS WEIGHT	425 lbs.
CYLINDER	P05314BW
<ul style="list-style-type: none"> • TYPE • ROD • DIMENSIONS 	<ul style="list-style-type: none"> • Welded • 2" • 4 x 14
PUMP TYPE	PM-3551
<ul style="list-style-type: none"> • TANK CAPACITY • PRESSURE • VOLTAGE • HOSE CONNECTION 	<ul style="list-style-type: none"> • 2 Gal. • 2,500 PSI and 500 PSI • 12V or 24V • #6 SAE

LOAD CAPACITY			
OVERHANG	8' BED	10' BED	12' BED
0"	4.75 T	3.75 T	3 T
12"	5 T	4.75 T	3 T
24"	—	5 T	4.75 T
36"	—	—	5 T