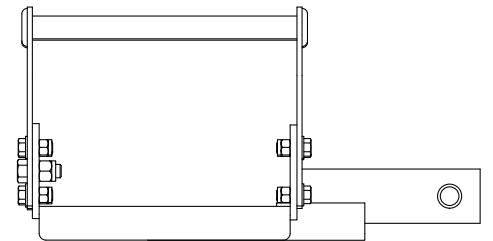
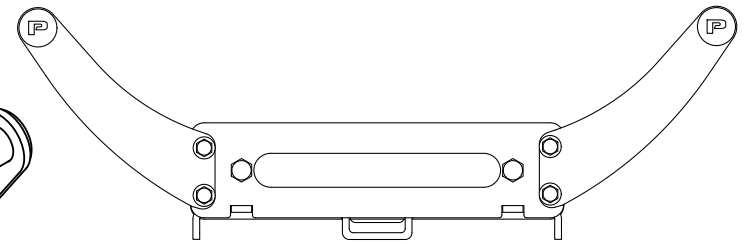
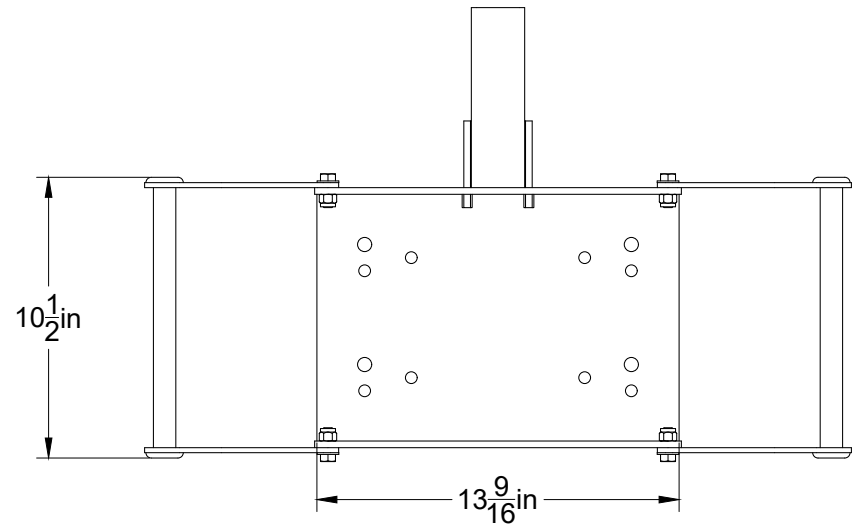
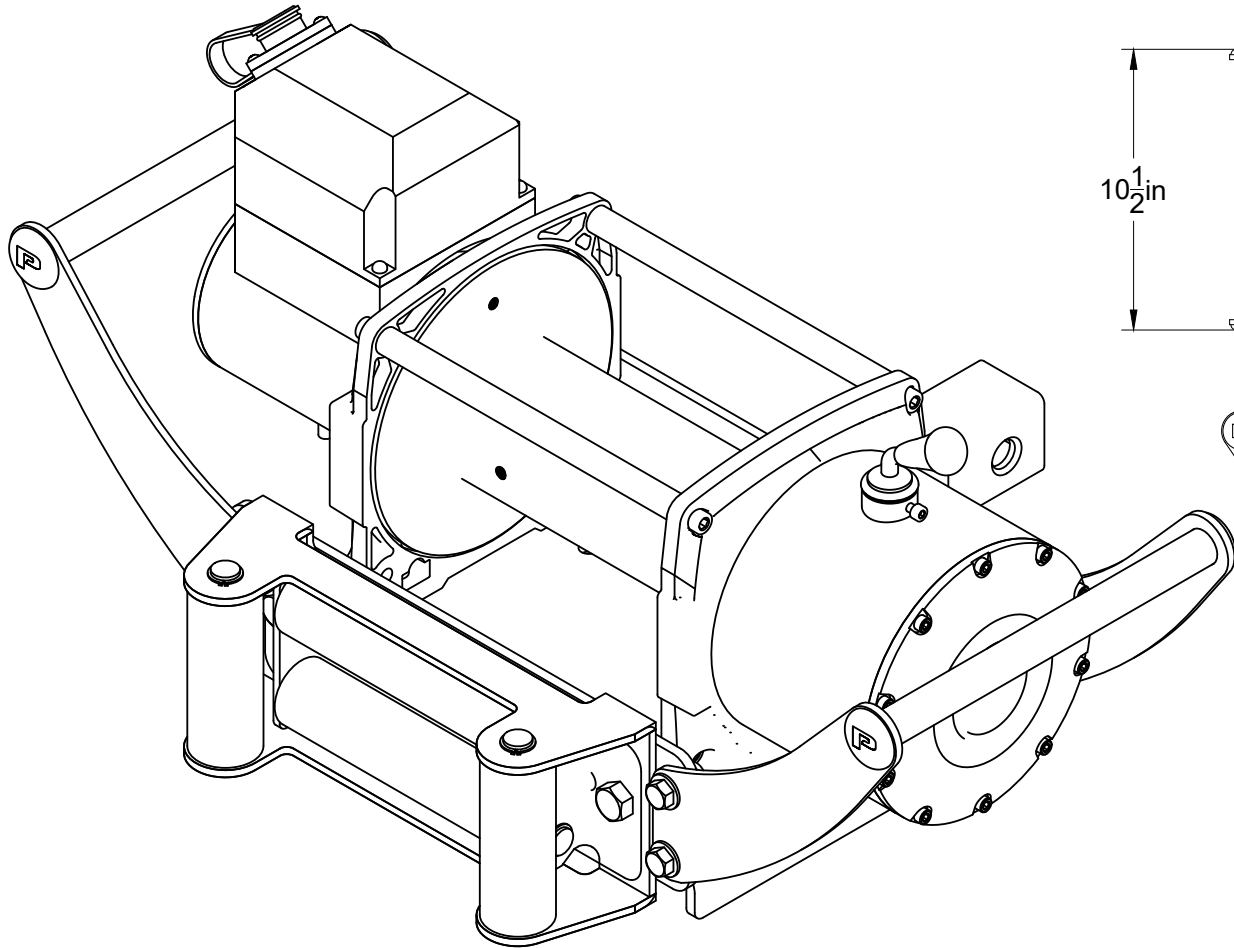


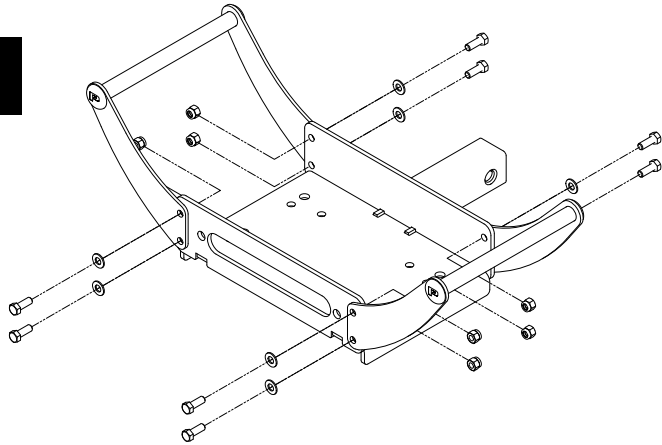
PBM30 Installation Guide



LG-02-00-0007 v1.0

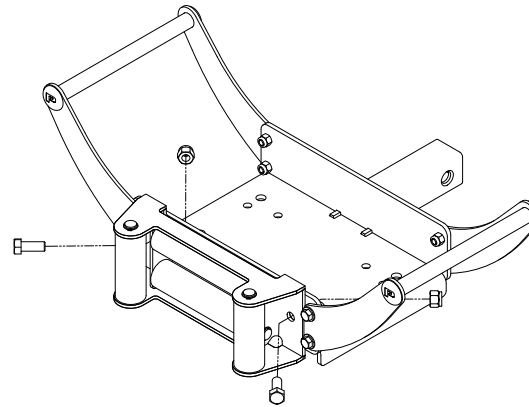
PIERCE[®]

1



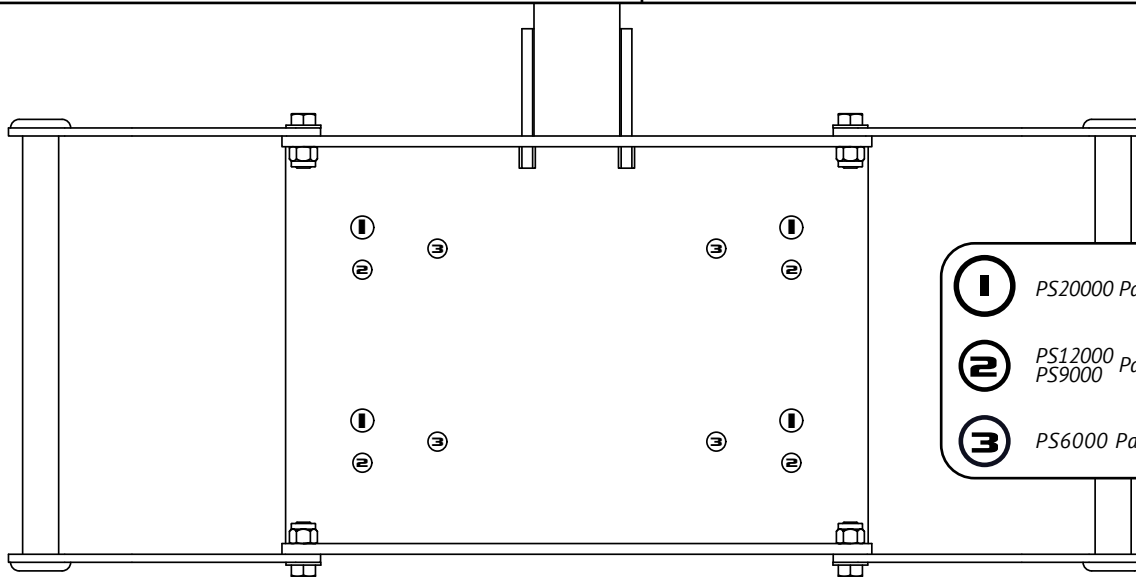
Attach the handles to the front and back plate of the base using 3/8" x 1" Bolts, Washers, and Lock Nuts.^(8 ct.)

2

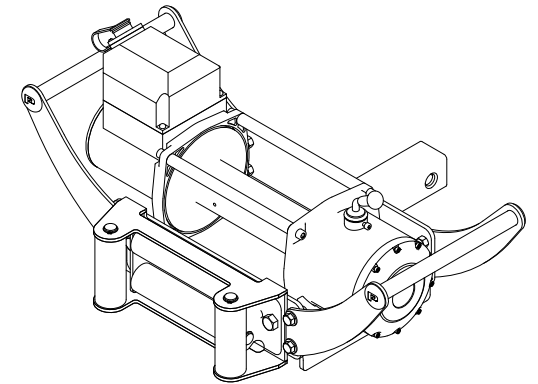


Attach the Roller guide to the base assembly using the 1/2" bolt and lock nut.^(2 ct.) **NOTE: the PS6000 uses a smaller roller guide. Attach the 6K Front Plate^(fig. 2A) to the base assembly before attaching the appropriate roller guide.**

3



- 1** PS20000 Pattern
- 2** PS12000 Pattern
PS9000
- 3** PS6000 Pattern



Secure the winch to the mount using the appropriate guide pattern for each winch option. Ensure proper bolt width & length per each winch specs. be sure to use a hitch pin rated higher than the winch. **NOTE: The cable must be spooled from the bottom of the drum.**