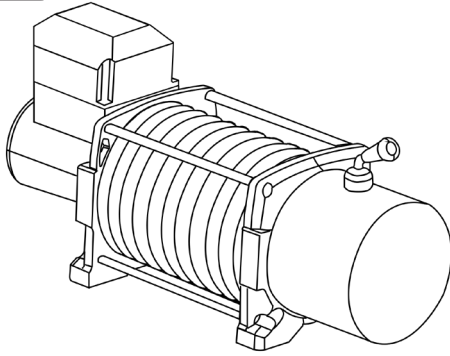


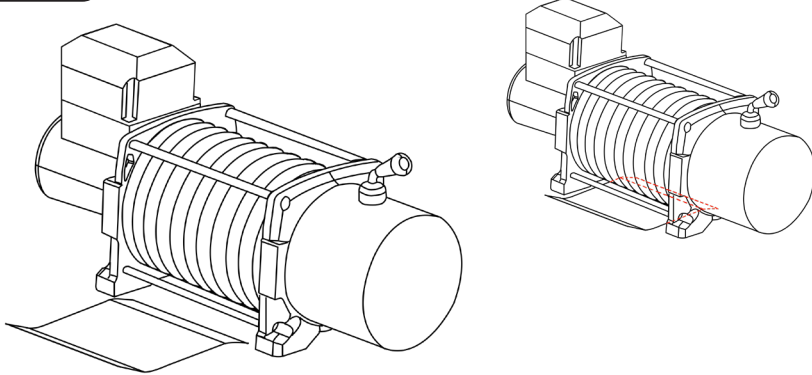
PSCTPS INSTALLATION GUIDE

STEP 1



The PS Series cable tensioner will bolt a bit behind, and under your winch, to your winch mounting plate.

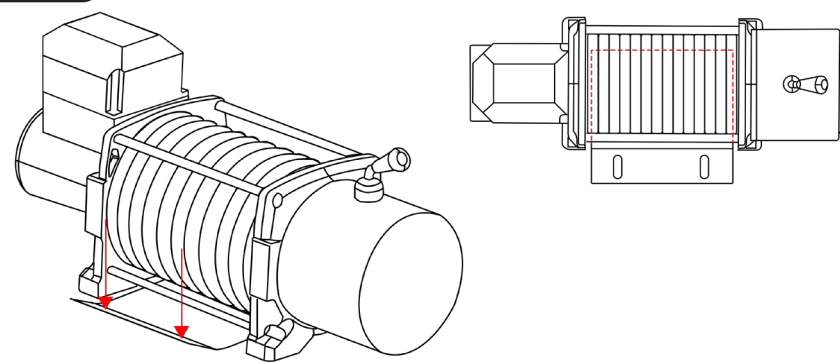
STEP 2



Slide the cable tensioner plate between the mounting surface and the winch.

Line up the plate so the arch in the plate is slightly forward from the center line of the cable spool.

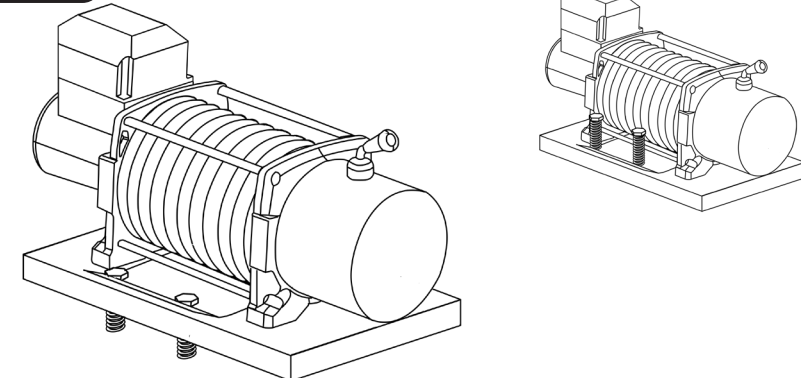
STEP 3



After you have it lined up mark the spot where you will drill through the mounting surface.

Make sure there is enough room for the bolt to pass through but not the spring

STEP 4



Bolt the plate to the mounting surface with the springs facing either up or down.

NOTE: The tension is altered by tightening and loosening the bolt/nut. The spring should be compressed, but not, to allow some play.