

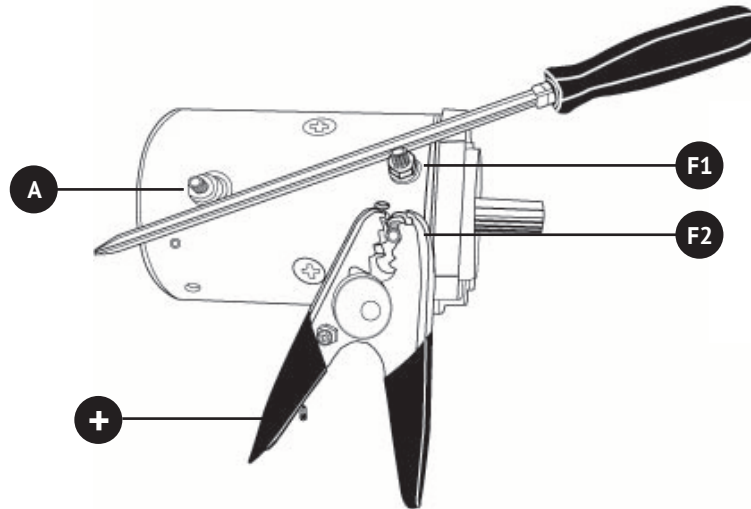
# THREE POST MOTOR on PS9000/PS12000/PS654 SERIES WINCHES

# PIERCE

Pierce Arrow Inc. • www.piercearrowinc.com • 1-800-658-6301  
549 U.S. HWY 287 S. • Henrietta, Texas 76365

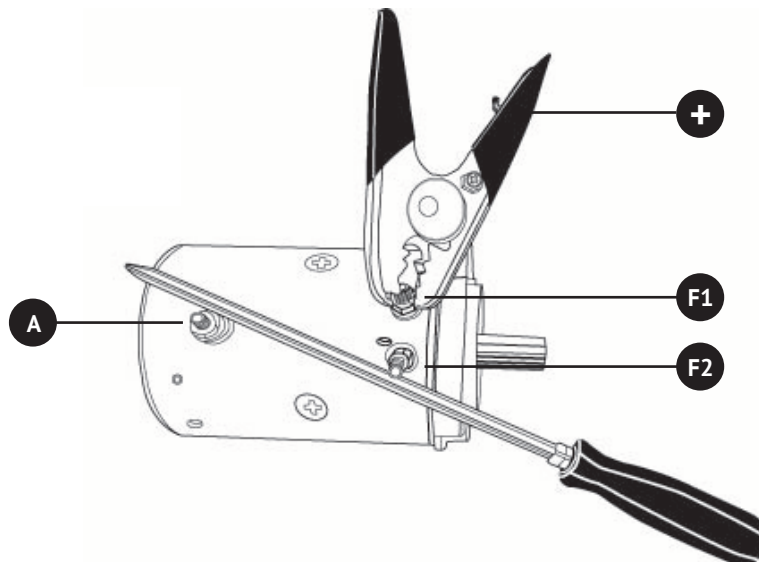
Step 1

**-** Mount ground to motor casing.



Step 2

**-** Mount ground to motor casing.



CATEGORY

MOTOR

## PRODUCT DESCRIPTION

Three Post Motor On PS9000,  
PS12000, PS654 Series Winches

## PROCEDURE DESCRIPTION

This chart depicts the motor test procedure if your motor is not spinning, spinning slowly, smoking or sparking. Use one screwdriver and jumper cables for this procedure.

## INSTRUCTIONS

Remove any wires connected to A, F1 and F2.

1. Apply power to F2.  
Connect terminal A to F1 with a screwdriver.
2. Apply power to F1.  
Connect terminal A to F2 with a screwdriver.

NOTE: The motor must be grounded to the motor casing not the electrical terminals.

- GROUND
- +** 12V
- F1** FIELD 1
- F2** FIELD 2
- A** ARMATURE