



## 6 Function PWM Receiver

### RECEIVER PART NUMBER

**33RX06** 6 Function PWM Receiver – only 6 functions used

### Compatible Transmitter

**TX2006** 6 Function IP Transmitter

### CONTENTS

**1 x** PWM Receiver  
**1 x** Instructions



### TRANSMITTER SPECIFICATION - See TX2006

### RECEIVER SPECIFICATION

#### ELECTRICAL

Voltage Nominal	12/24 volts
Voltage Min/Max	9 to 32 volts
Connection - Case	Deutsch HDP24 24-31-PE Receptacle with pins
Connection - Harness	Deutsch HDP26 24-31-SE Plug with sockets
Switch Type	MOS Field Effect Transistor (MOSFET)
Function Current – max	1,2 or 3 Amps selectable
System Current – max.	15 amps.
Functions	6

#### RF

Modulation	2-GFSK. Gaussian Frequency Shift Keying
Frequency	433.050 MHz to 434.790 MHz
Channels	32
Channel Selection	Fixed
Technology	Fixed Receiver
Temperature Range	-30deg.C to 85deg.C
Range	60m (200ft)
Range max.	300m (1000ft) in open ground
Registration Codes	Over 16 million

#### CURRENT CAPACITY

FET Rating	10A
System Rating	10A
Quiescent Current	65mA on Standby (Not SET)
RF Radiated Power	0dBm

### PWM INFORMATION AND ADJUSTMENTS

Frequency	5000 hz
Threshold	Adjustable
Top Limit	Adjustable
Dither Frequency	10 – 200Hz
Dither Amplitude	0 – 20%
Ramp up time – max	100 – 5000 milliseconds
Ramp down time – max	100 – 5000 milliseconds
Flow Control Adjustment	Yes – Requires dedicated TX buttons
Flow Control Start Level	Adjustable between threshold and top limit

### AERIAL

Internal Antenna	Yes	Supplied and fitted
External Antenna	Optional	AC9860/ AC9861/ AC9862/ AC9863 & AC9869 – order separately

### CONFIGURATION

Operating System	Lodar Script
Functions	Momentary with Horizontal Interlocks
Master Output	Parallel – Continuous optional

### PERFORMANCE

Simultaneous Outputs	Yes	Programable (Modify through configuration)
Instant TX response	Yes	Programable (Modify through configuration)

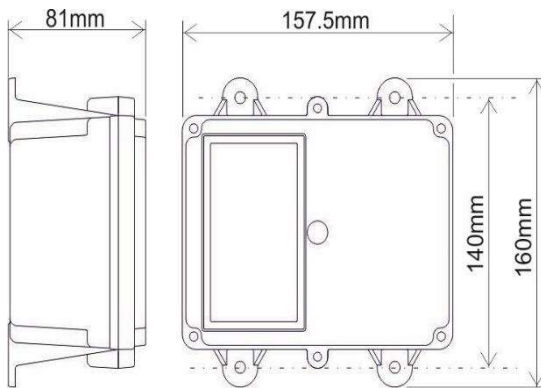
### DIAGNOSTICS

Fault Code	Yes	LED
Receive Indication	Yes	LED
Out of Range Indication	Yes	

### SAFETY & PROTECTION

Back EMF	Yes – protection diodes
Reverse Polarity	Yes
System Monitoring	Yes – using a secondary processor
Transient Voltage	Yes – TVS Diode 30.8 volts. 10amp fuse recommended
Auto Off - TX out of range	Better than 500 milliseconds
Overload	Yes – by temperature sensor

### ENCLOSURE



Material Lid	Clear PVC lid - to view LEDs
Base	Black Polycarbonate
Dimensions	187 x 140 x 80mm (7.36 x 5.50 x 3.15 ins.)
Weight	290 gms
Breather	Gortex membrane
IP Rating	IP66
Functional Identification	LED though clear lid
Mounting	4 external lugs
Fixings	5mm (3/16") - not supplied

<b>33 Series</b>			<b>33RX04</b>
BUILD SPECIFICATION TABLE FOR MODELS IN THIS RANGE			
Ident	Legend	Connection	
CN1	+, -, S+, M	Positive, Negative, Safety, Master	<b>S</b>
CN21	CH1, COM, CH2	F1, Common Ground, F2	<b>S</b>
CN22	CH3, COM, CH4	F3, Common Ground, F4	<b>S</b>
CN23	CH5, COM, CH6	F5, Common Ground, F6	<b>S</b>
CN24	CH7, COM, CH8	F7, Common Ground, F8	
CN25	CH9, COM, CH10	F9, Common Ground, F10	
CN26	CH11, COM, CH12	F11, Common Ground, F12	
CN2	Config	PC Config	<b>S</b>
CN3	RS232	RS232 Expansion	<b>S</b>
CN5	ANT	SMA (External Antenna)	
CN6		Internal Antenna	<b>S</b>

S = Standard. C = Customer configured (see "Factory Settings").

- + Positive 8-36V supply
- Negative 0 Volts
- CH1-12 Outputs to F1 through F12
- S+ Master Secondary for Safety solenoid connections etc.
- ANT Blade connector for internal antenna
- SMA Aerial connection for optional external antenna (internal antenna must be removed)
- Factory Settings 418/915MHz configured Parallel, 433.92MHz configured Continuous
- RS232 RS232 for Wired Remote and interface to access special programmes

**COMPLIANCE**

- FCC FCC CFR 47 Part 15.109  
433.050MHz to 434.790MHz  
FCC CFR 47 Part 15.109  
902.025MHz to 927.975MHz
- IC ICES-003 Issue 6.  
433.050MHz to 434.790MHz  
ICES-003 Issue 6.  
902.025MHz to 927.975MHz
- RoHS Directive 2011/65/EU