

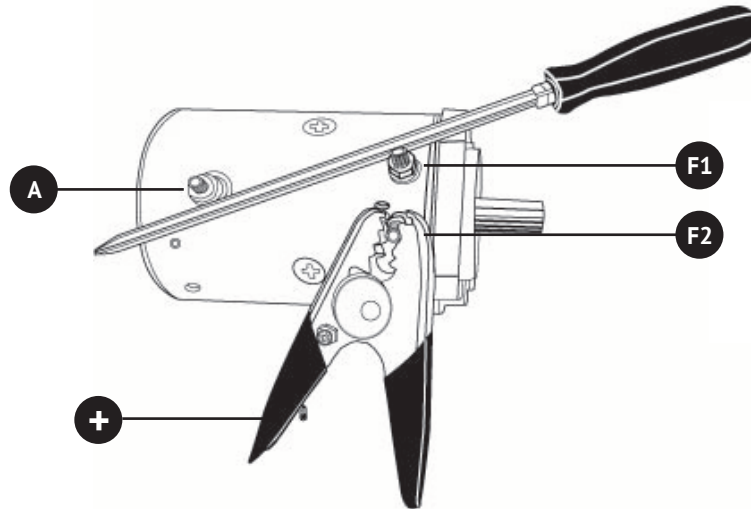
THREE POST MOTOR on PS9000/PS12000/PS654 SERIES WINCHES

PIERCE

Pierce Arrow Inc. • www.piercearrowinc.com • 1-800-658-6301
549 U.S. HWY 287 S. • Henrietta, Texas 76365

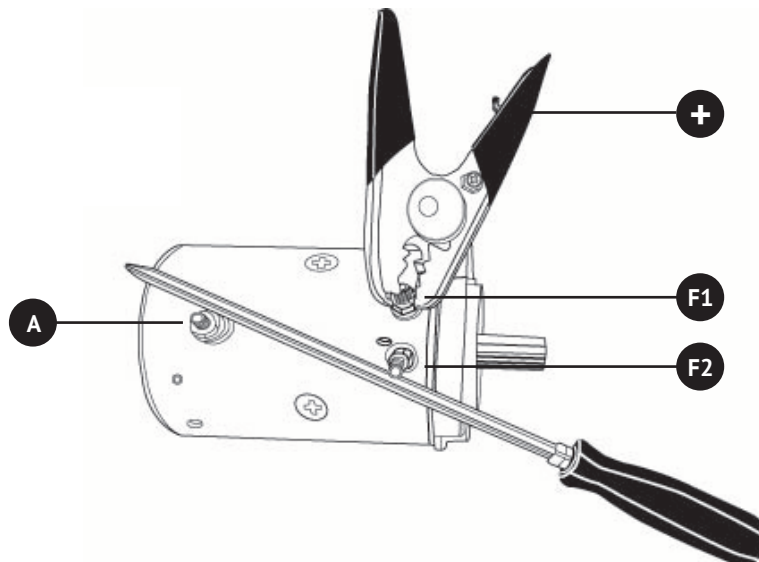
Step 1

- Mount ground to motor casing.



Step 2

- Mount ground to motor casing.



CATEGORY

MOTOR

PRODUCT DESCRIPTION

Three Post Motor On PS9000,
PS12000, PS654 Series Winches

PROCEDURE DESCRIPTION

This chart depicts the motor test procedure if your motor is not spinning, spinning slowly, smoking or sparking. Use one screwdriver and jumper cables for this procedure.

INSTRUCTIONS

Remove any wires connected to A, F1 and F2.

1. Apply power to F2.
Connect terminal A to F1 with a screwdriver.
2. Apply power to F1.
Connect terminal A to F2 with a screwdriver.

NOTE: The motor must be grounded to the motor casing not the electrical terminals.

- GROUND
- +** 12V
- F1** FIELD 1
- F2** FIELD 2
- A** ARMATURE