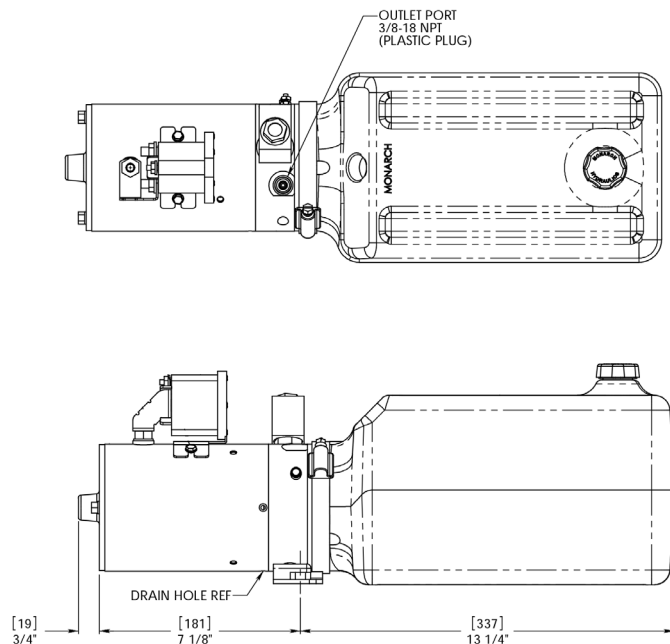
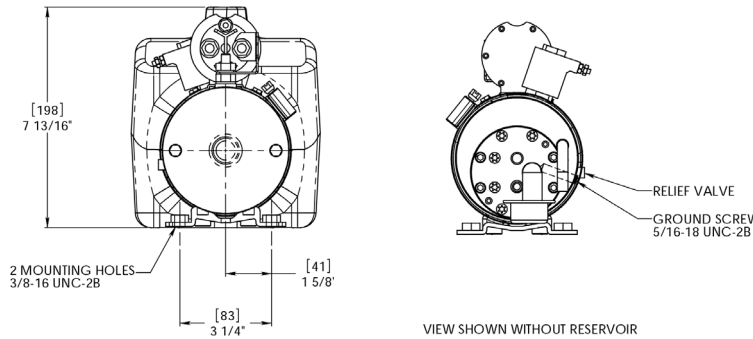


PM-319-6P BUCHER PUMP

PIERCE® PULLING FOR YOU



CATEGORY	PUMP
-----------------	------

PART NO.	PM-319-6P
-----------------	-----------

MFG. MODEL NO.	M-319-0384
-----------------------	------------

PRODUCT DESCRIPTION

Power Up Gravity Down Hydraulic Pump w/6 qt. Reservoir

PUMP OPTIONS

	DESCRIPTION	PART NO.
FITTINGS	3/8" Male x 1/4" Female 90	143
CONTROLS	2 Button Wired Control with 15' Cord	CP271MTE
	2 Button Wireless Remote	110000
RESERVOIR	5 gal reservoir	14223

SPECIFICATIONS

PRESSURE	2,500 PSI
TANK CAPACITY	6 Qt (6.7"x6.7"x13")
RESERVOIR MATERIAL	High Density Polyethylene
OVERALL DIMENSIONS	20.4" x 6.7" x 7.7"
HOSE CONNECTION	3/8" Pipe
VOLTAGE	12 V
TYPE OF FLUID	Automatic Transmission Fluid

SCHEMATIC

