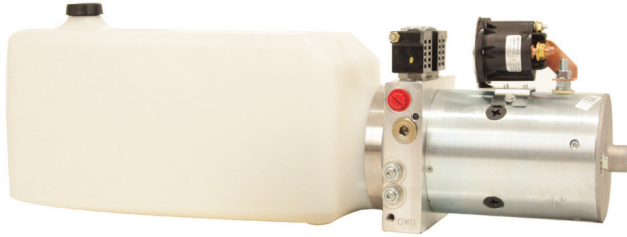


PM-3551 BUCHER PUMP

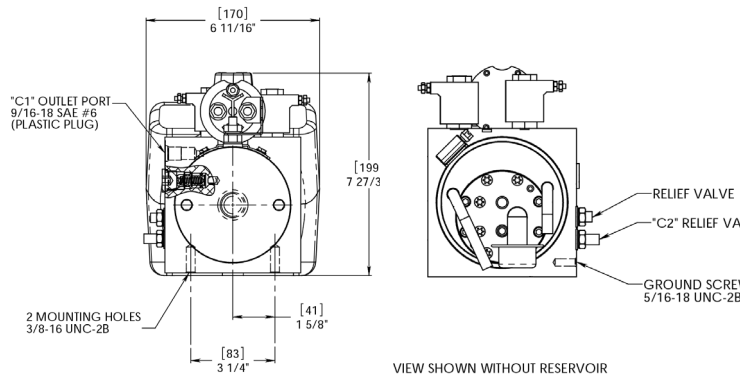
PIERCE® PULLING FOR YOU



CATEGORY	PUMP
PART NO.	PM-3551
MFG. MODEL NO.	M-3551-0262

PRODUCT DESCRIPTION
Power Up Power Down Hydraulic Pump w/2 gal. Reservoir

PUMP OPTIONS		
	DESCRIPTION	PART NO.
FITTINGS	9/10" SAE x .25" 90°	14490
CONTROLS	2 Button Wired Control with 15' Cord	CP077K
	2 Button Wireless Remote	110002
RESERVOIR	5 gal reservoir	14223



SPECIFICATIONS	
PRESSURE	2,500 PSI and 500 PSI
TANK CAPACITY	2 gal. (6.7"x6.7"x15")
RESERVOIR MATERIAL	High Density Polyethylene
OVERALL DIMENSIONS	23.125" x 6.7" x 7.84"
HOSE CONNECTION	#6 SAE
VOLTAGE	12 V
TYPE OF FLUID	Automatic Transmission Fluid

