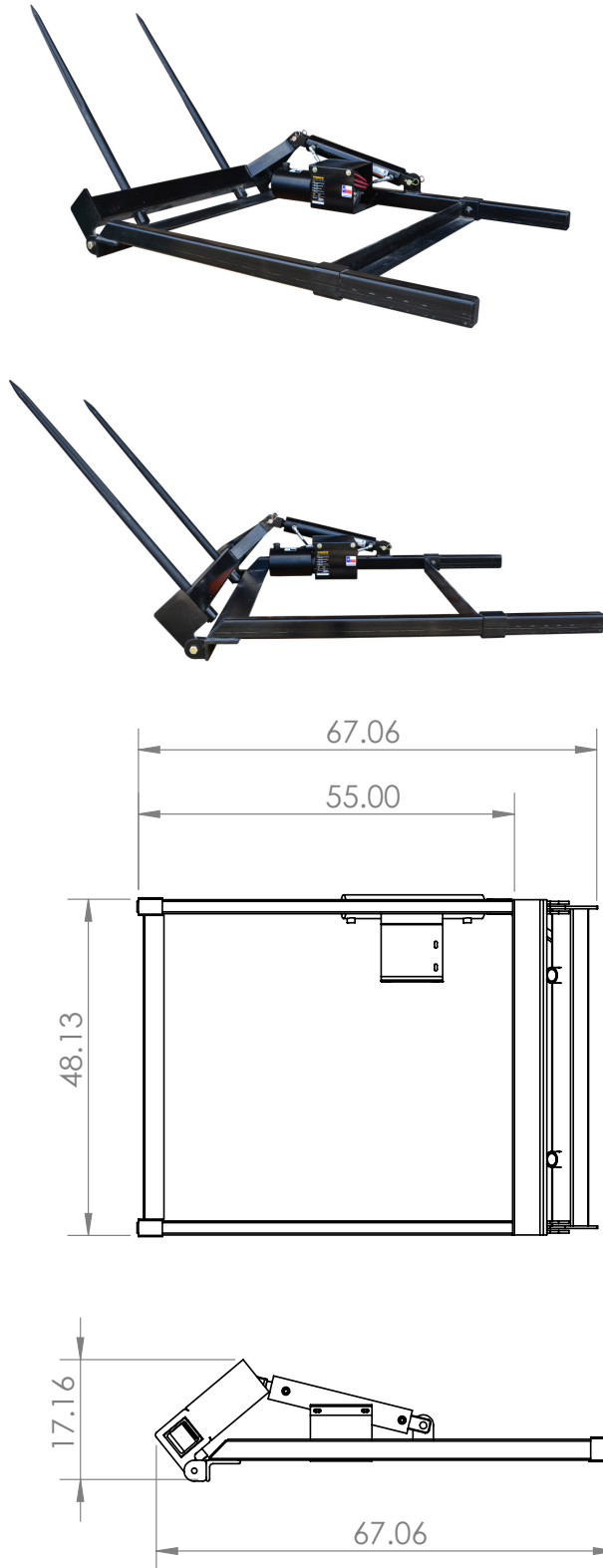


# BOLT IN BALE SPIKE

# PIERCE®

PULLING FOR YOU



<b>CATEGORY</b>	FARM & RANCH
-----------------	--------------

<b>PART NO.</b>	ABS2K
-----------------	-------

<b>PRODUCT DESCRIPTION</b>	
PIERCE Bolt in Bale Spike	

<b>SPECIFICATIONS</b>	
<b>CAPACITY</b>	2,500 lbs.
<b>HITCH TYPE</b>	Bolt to Bed
<b>BALE HANDLING</b>	5' or 6' Large Round
<b>WARRANTY</b>	2 years
<b>PRODUCT WEIGHT</b>	385 lbs.
<b>GROSS WEIGHT</b>	425 lbs.
<b>DIMENSIONS</b>	64" x 62" x 30.5"
<b>ORIGIN</b>	Made in Texas
<b>CYLINDER</b>	HCL-3016
• TYPE	• Welded
• ROD	• 1.5"
• DIMENSIONS	• 3" x 16"
<b>PUMP</b>	PM-3554-0131
• TANK CAPACITY	• 3 qt.
• PRESSURE	• 2,500 PSI
• VOLTAGE	• 12 V
• HOSE CONNECTION	• #6 SAE