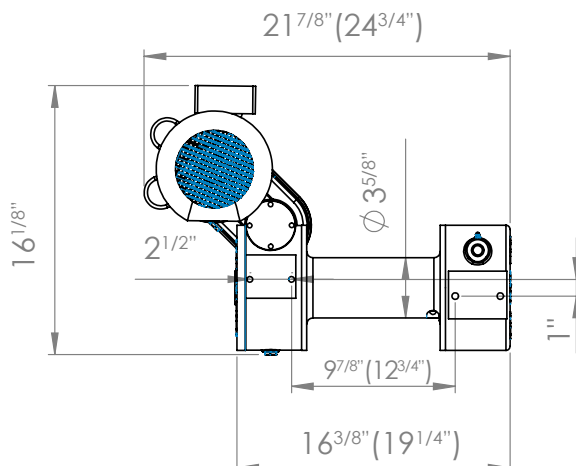
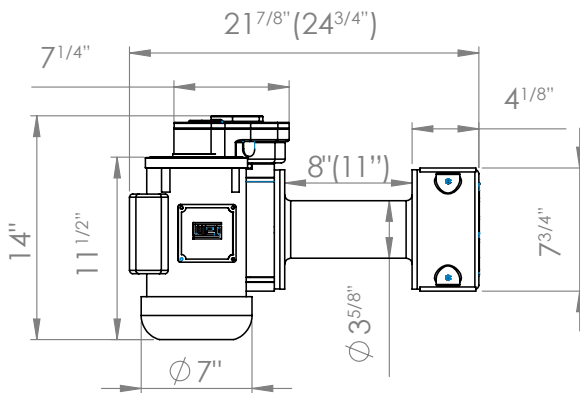
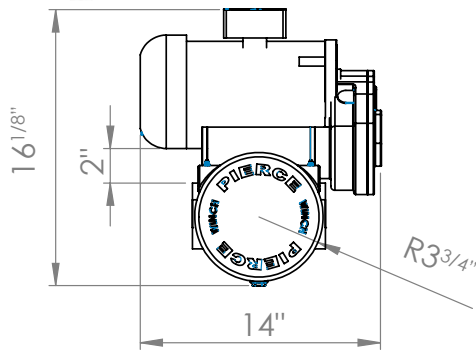


# PS654-8EMK & PS654-11EMK WINCH

# PIERCE PULLING FOR YOU



<b>CATEGORY</b>	WINCH
-----------------	-------

<b>PART NO.</b>	PS654-8EMK PS654-11EMK
-----------------	---------------------------

<b>PRODUCT DESCRIPTION</b>	11,000 lb Worm Gear Electric AC Winch / 8"(11") drum
----------------------------	--

## SPECIFICATIONS

\*values in (#) represent the values for the 11EMK

<b>RATED LINE PULL</b>	11,000 lb
<b>LINE SPEED</b>	4 fpm
<b>VOLTAGE</b>	110V / 220V
<b>RATIO</b>	460:1
<b>AMPERE</b>	17.4 amps @ 115V
<b>MINIMUM WIRE GAUGE</b>	16 gauge
<b>MOTOR</b>	1.5 hp
<b>WINCH CONSTRUCTION</b>	Cast Metal
<b>GEAR TRAIN</b>	Worm Gear
<b>CLUTCH</b>	Dog
<b>BRAKE</b>	Worm Gear
<b>ROTATION OF WINCH</b>	CCW
<b>DRUM SIZE</b>	3.5" x 8" (11")
<b>MOUNTING PATTERN</b>	Pre-mounted
<b>WIRE ROPE RECOMMENDED</b>	3/8" x 100' (125')
<b>WINCH WEIGHT</b>	123 lb (125 lb)
<b>GROSS WEIGHT</b>	163 lb (165 lb)
<b>WINCH DIMENSIONS (LxWxH)</b>	26" x 15" x 17.5" (pre-mounted)
<b>BOX DIMENSIONS (LxWxH)</b>	Palletted