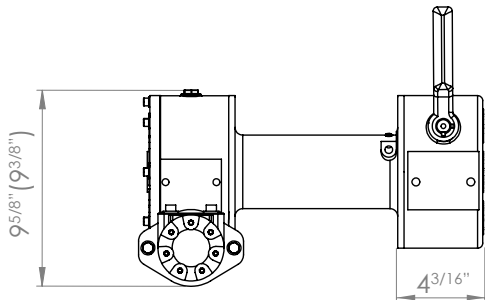
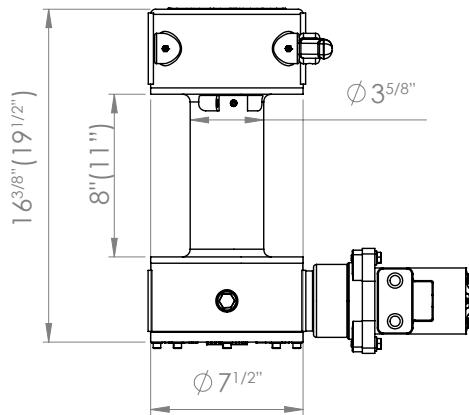
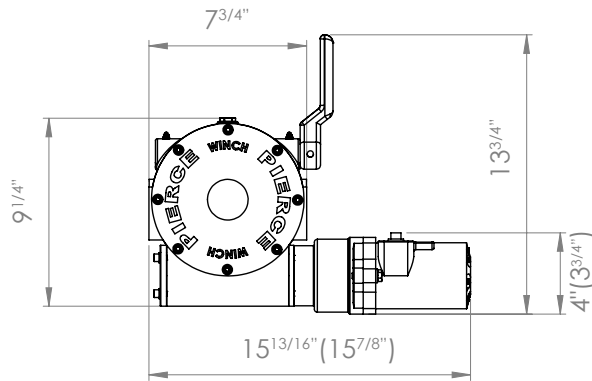


# PSW654-8HK & PSW654-11HK WINCH

# PIERCE PULLING FOR YOU



CATEGORY WINCH

PART NO. PSW654-8HK  
PSW654-11HK

## PRODUCT DESCRIPTION

9,000 lb Worm Gear Hydraulic Winch / 8"(11") drum

## SPECIFICATIONS

*\*values in (#) represent the values for the 11HK*

RATED LINE PULL	9,000 lb
LINE SPEED	12.6 fpm
MOTOR	4.8 in <sup>3</sup> in/rev
RATIO	60:1
GPM	15 gpm
PSI	2,000 psi
STARTING INPUT TORQUE FOR RATED PULL	845 in / lb
WINCH CONSTRUCTION	Cast Metal
GEAR TRAIN	Worm Gear
CLUTCH	Dog
BRAKE	Worm Gear
ROTATION OF WINCH	CCW
DRUM SIZE	3.5" x 8" (11")
MAXIMUM LAYERS ON DRUM	5
WIRE ROPE RECOMMENDED	3/8" x 100' (125')
WINCH WEIGHT	70 lb (72 lb)
GROSS WEIGHT	72 lb (74 lb)
WINCH DIMENSIONS (LxWxH)	16.25" (19.25") x 8" x 13.5"
BOX DIMENSIONS (LxWxH)	14" x 14" x 24" (27")

## LINE SPEEDS

LAYERS OF WIRE ROPE	PULL	DRUM CAPACITY	SPEED (@16 GPM)
1	9,000 lb	25 (20) ft	12.6 fpm
2	7,500 lb	50 (40) ft	15.1 fpm
3	6,400 lb	75 (60) ft	17.5 fpm
4	5,600 lb	100 (80) ft	20.0 fpm