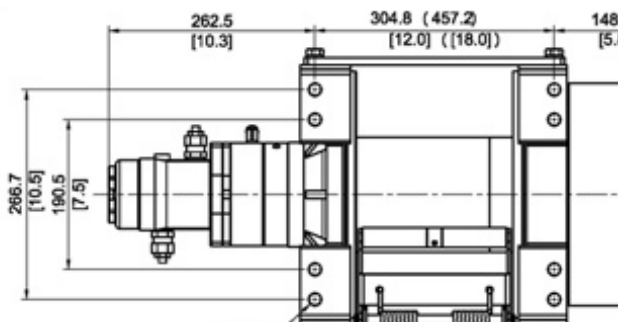
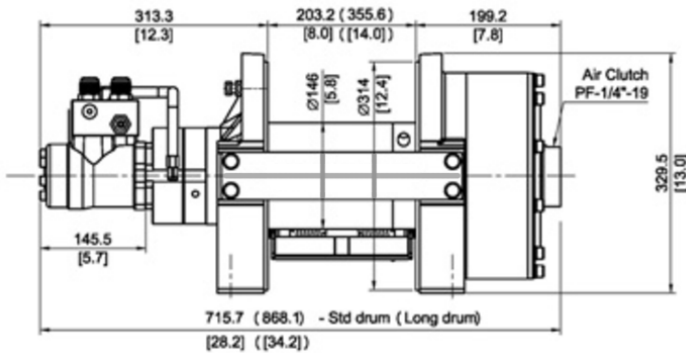
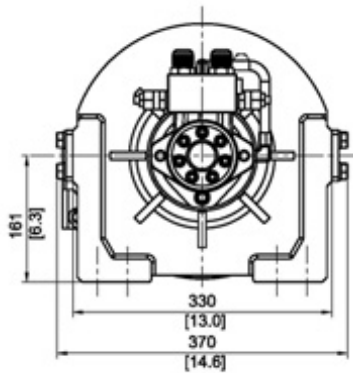


PSHDH20000 WINCH

PIERCE

PULLING FOR YOU



CATEGORY WINCH

PART NO. PSHDH20000

PRODUCT DESCRIPTION

20,000 lb Hydraulic Industrial Winch

SPECIFICATIONS

| | |
|---------------------------------|--|
| RATED LINE PULL | 20,000 lb |
| LINE SPEED | 23 fpm @ 15.9 gpm |
| OPERATION PRESSURE | 2,175 psi |
| MAX OIL FLOW | 15.9 gpm |
| HYDRAULIC MOTOR | 9.5 in ³ / rev |
| GEAR RATIO | 2-stage planetary gear 30:1 |
| WINCH CONSTRUCTION | Aluminum die cast housings with steel drum |
| CLUTCH | Output shaft disengaged, air spool |
| BRAKE | Multidisc brake |
| ROTATION OF WINCH | Underwound, air spool |
| DRUM BARREL DIAMETER | 5.8" |
| DRUM FLANGE DIAMETER | 12.4" |
| DISTANCE BETWEEN FLANGES | 14" |
| MOUNTING BOLTS PATTERN | 7.5" x 18" 10.5" x 18" |
| WIRE ROPE RECOMMENDED | 9/16" x 250' |
| WINCH WEIGHT | 331 lb |
| GROSS WEIGHT | 380 lb |
| WINCH DIMENSIONS (LxWxH) | 34.6" x 14.6" x 13.0" |
| BOX DIMENSIONS (LxWxH) | Shipped in crate or pallet individually |

LINE SPEEDS

| LAYERS OF WIRE ROPE | PULL (LB) | WIRE ROPE (FT) | SPEED (@ 15.9 GPM) |
|---------------------|-----------|----------------|--------------------|
| 1 | 20,000 lb | 23 ft | 23 fpm |
| 2 | 17,017 lb | 49 ft | 27 fpm |
| 3 | 14,813 lb | 79 ft | 31 fpm |