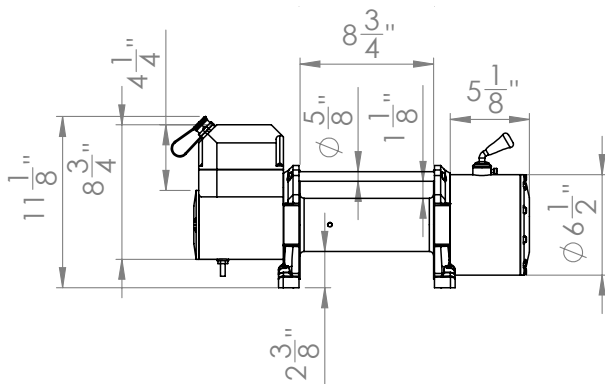
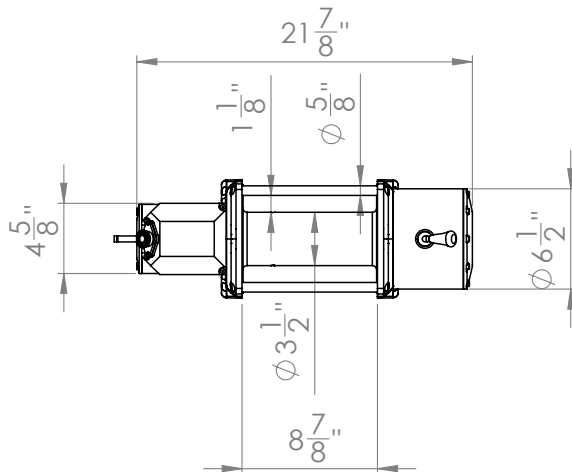
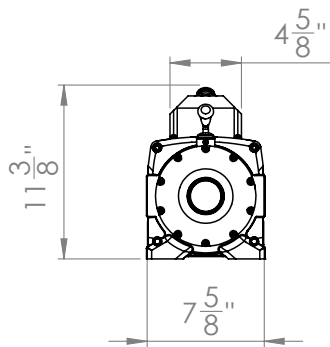
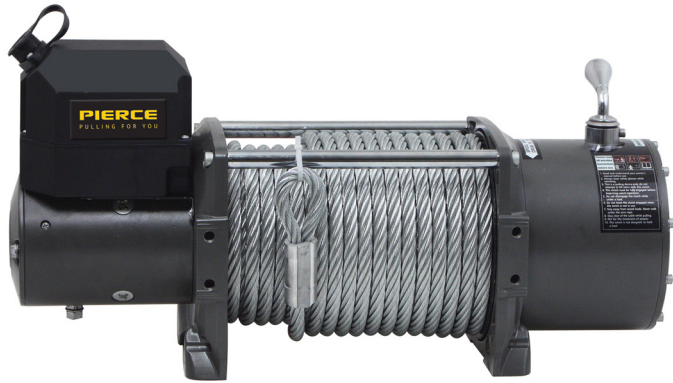


# PS20000 WINCH

*included accessories on reverse*

# PIERCE

PULLING FOR YOU



<b>CATEGORY</b>	WINCH
-----------------	-------

<b>PART NO.</b>	PS20000
-----------------	---------

<b>PRODUCT DESCRIPTION</b>	20,000 lb Self-Recovery Electric Winch
----------------------------	--

SPECIFICATIONS	
RATED LINE PULL	20,000 lb
LINE SPEED	20.4 fpm
VOLTAGE	12 V
CONTROL	Remote with 15' lead
RATIO	420:1
MINIMUM WIRE GAUGE	2 gauge
RECOMMENDED BATTERY	650 CCA
MOTOR	6.8 hp
WINCH CONSTRUCTION	Cast metal
GEAR TRAIN	3-stage planetary
CLUTCH	Sliding ring gear
BRAKE	Automatic in the drum
ROTATION OF WINCH	CCW
DRUM SIZE	3.50" x 8.70"
MOUNTING PATTERN	4.5" x 10"
WIRE ROPE RECOMMENDED	1/2" x 72'
WINCH WEIGHT	132 lb
GROSS WEIGHT	146 lb
WINCH DIMENSIONS (LxWxH)	21.875" x 6.5" x 11.125"
BOX DIMENSIONS (LxWxH)	25" x 10.25" x 16.5"

LINE SPEEDS					
LAYERS OF WIRE ROPE	RATED PULL (LB)	WIRE ROPE (FT)	LINE PULL (LB)	SPEED (FPM)	CURRENT
1	20,000	20.4	0	23.9	68 amps
2	15,482	42.4	6,000	7.4	185 amps
3	12,584	60.2	10,000	5.1	275 amps
4	10,550	72.2	15,000	3.3	435 amps
			20,000	2.62	530 amps

# INCLUDED ACCESSORIES FOR PS20000 WINCH

---

# PIERCE

PULLING FOR YOU



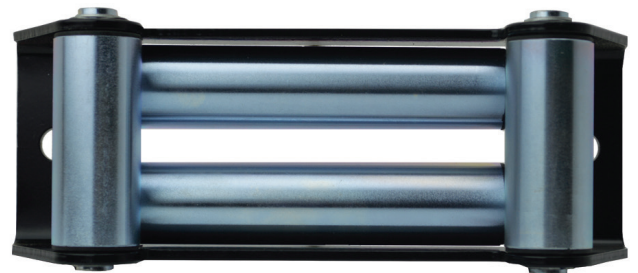
P040N PIERCE WIRED REMOTE CONTROL



SOLENOID ASSEMBLY



HOOK



ROLLER GUIDE



SNATCH BLOCK



CABLE / WIRING