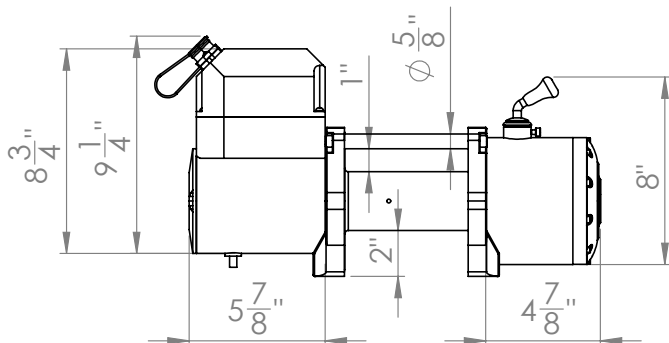
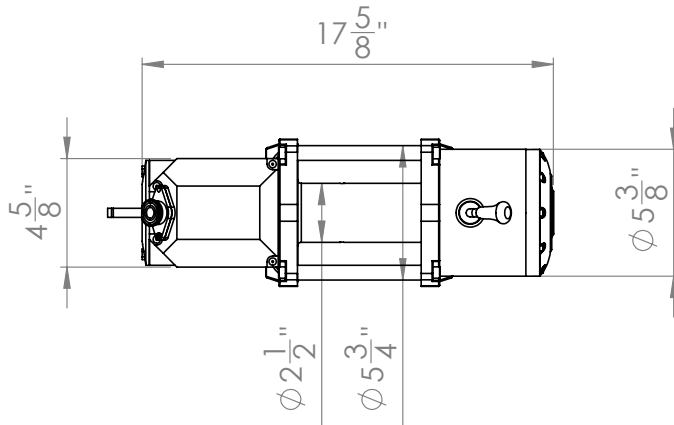
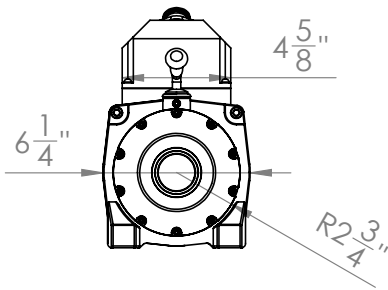
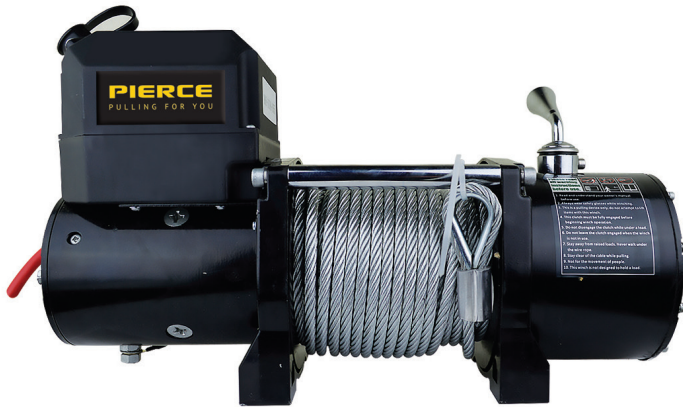


PS6000 WINCH

included accessories on reverse

PIERCE

PULLING FOR YOU



CATEGORY WINCH

PART NO. PS6000

PRODUCT DESCRIPTION

6,000 lb Self-Recovery Electric Winch

SPECIFICATIONS

RATED LINE PULL	6,000 lb
LINE SPEED	13 fpm
VOLTAGE	12 V
CONTROL	Remote with 15' lead
RATIO	218:1
MINIMUM WIRE GAUGE	2 gauge
RECOMMENDED BATTERY	650 CCA
MOTOR	5.5 hp
WINCH CONSTRUCTION	Cast metal
GEAR TRAIN	3-stage planetary
CLUTCH	Sliding ring gear
BRAKE	Automatic in the drum
ROTATION OF WINCH	CCW
DRUM SIZE	2.50" x 5.25"
MOUNTING PATTERN	4.5" x 6.625"
WIRE ROPE RECOMMENDED	9/32" x 65'
WINCH WEIGHT	55 lb
GROSS WEIGHT	77 lb
WINCH DIMENSIONS (LxWxH)	17.625" x 5.375" x 8.75"
BOX DIMENSIONS (LxWxH)	23" x 8.5" x 14"

LINE SPEEDS

LAYERS OF WIRE ROPE	RATED PULL (LB)	WIRE ROPE (FT)	LINE PULL (LB)	SPEED (FPM)	CURRENT
1	6,000	13	0	21.3	65 amps
2	4,990	29	1,000	11.5	126 amps
3	4,280	48	2,000	9.4	175 amps
4	3,780	69	4,000	7.9	230 amps
5	3,310	79	6,000	6.5	280 amps

INCLUDED ACCESSORIES FOR PS6000 WINCH

PIERCE

PULLING FOR YOU



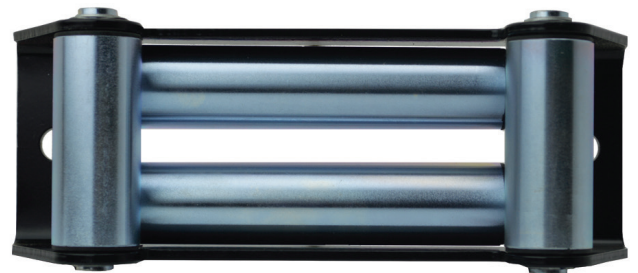
P040N PIERCE WIRED REMOTE CONTROL



SOLENOID ASSEMBLY



HOOK



ROLLER GUIDE



SNATCH BLOCK



CABLE / WIRING